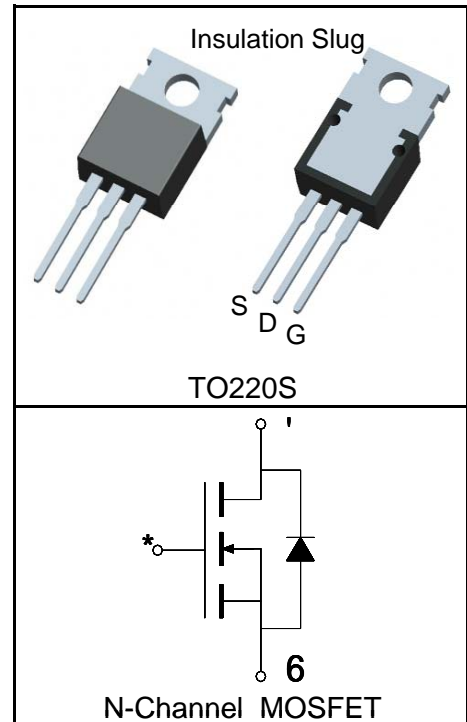


- 150V/120A
 $R_{DS(ON)} = 11m$ (Typ.)@ $V_{GS}=10V$
- Insulation Slug(V_{ISO} 1 1500VAC)
- Reliable and Rugged
- 100% avalanche tested
- 175°C Operating Temperature
- Lead Free and Green Devices Available (RoHS Compliant)

- High Efficiency Synchronous Rectification in SMPS
- High Speed Power Switching
- Automotive applications and a wide variety of other applications

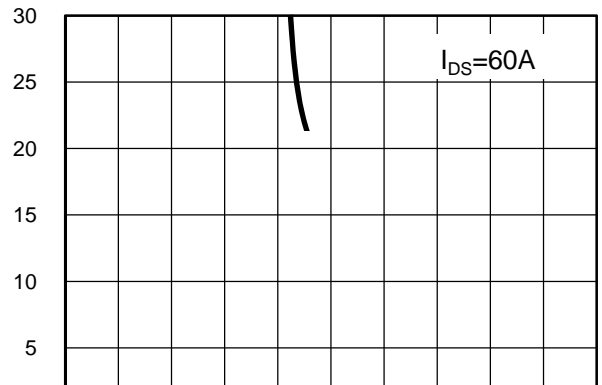
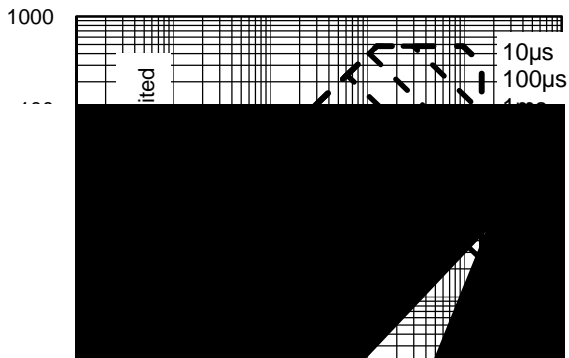
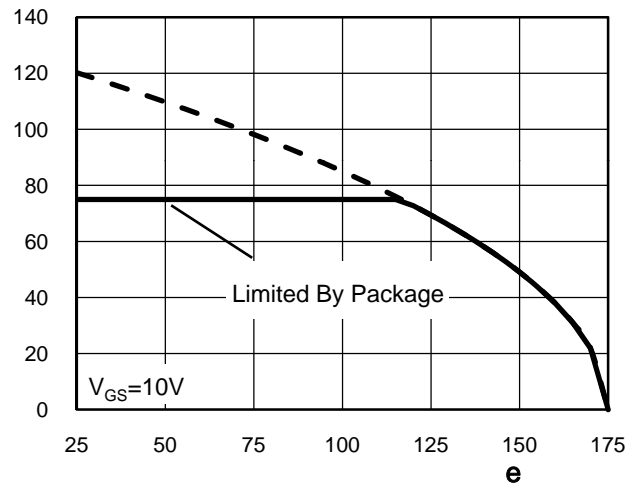
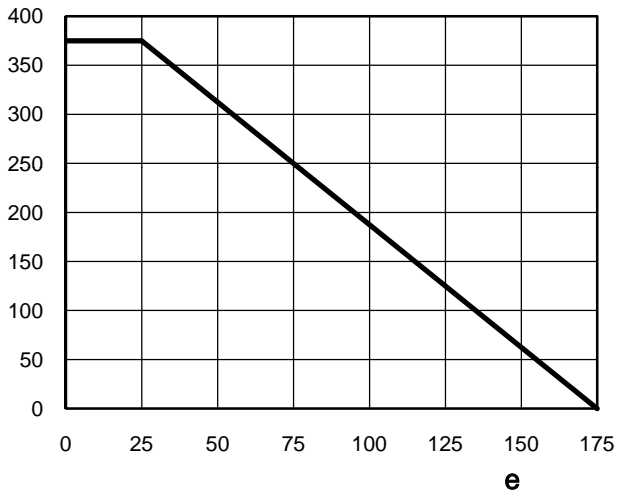


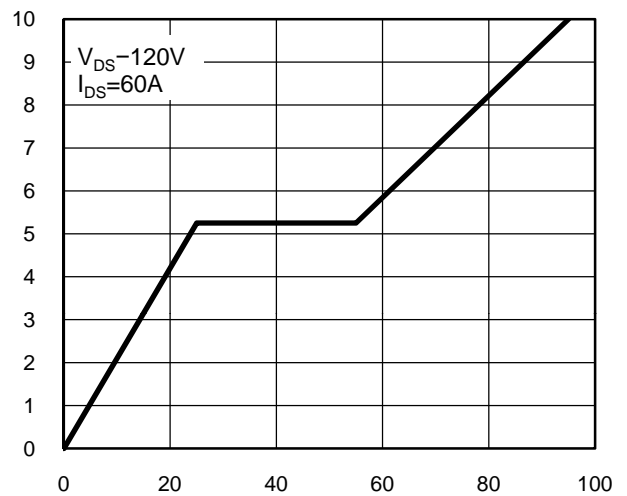
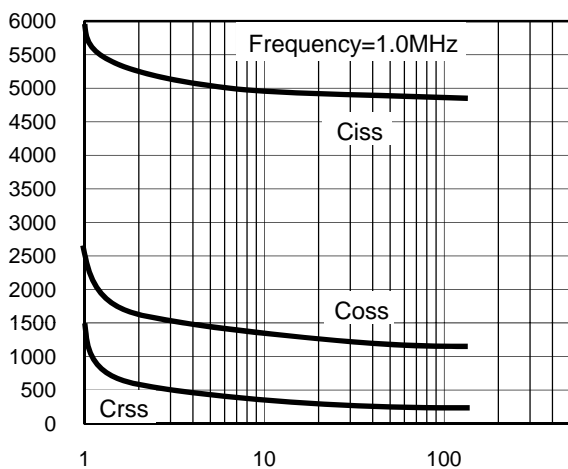
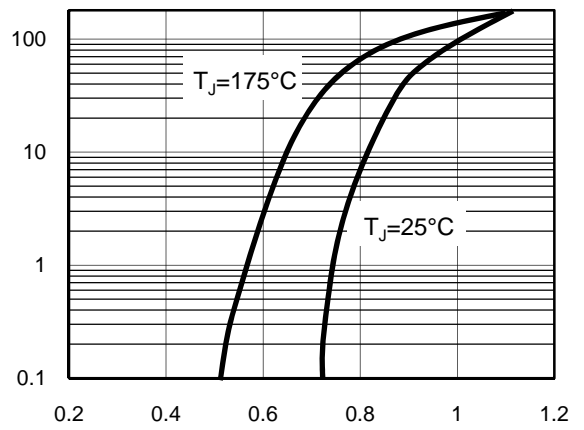
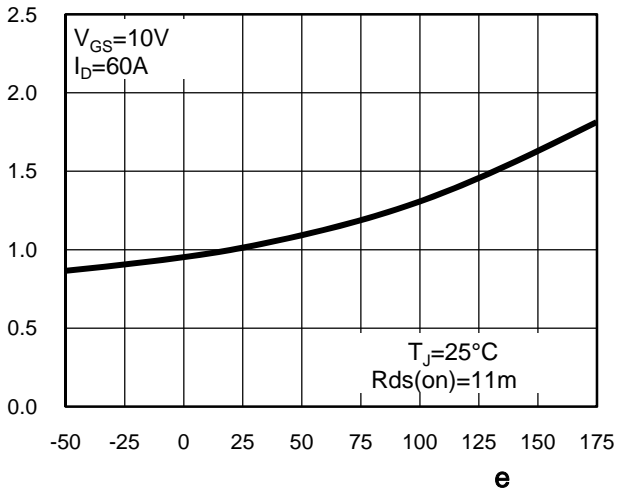
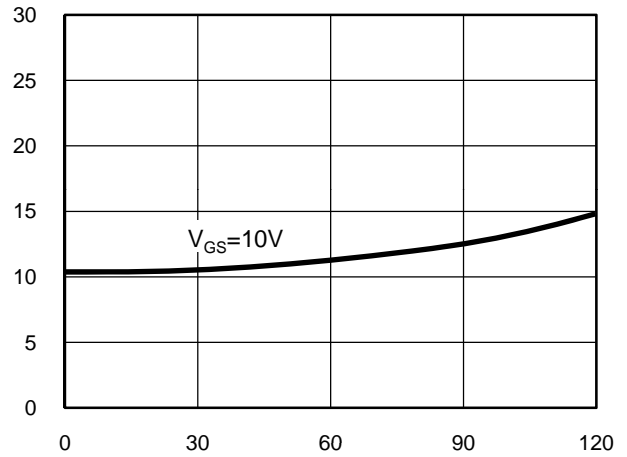
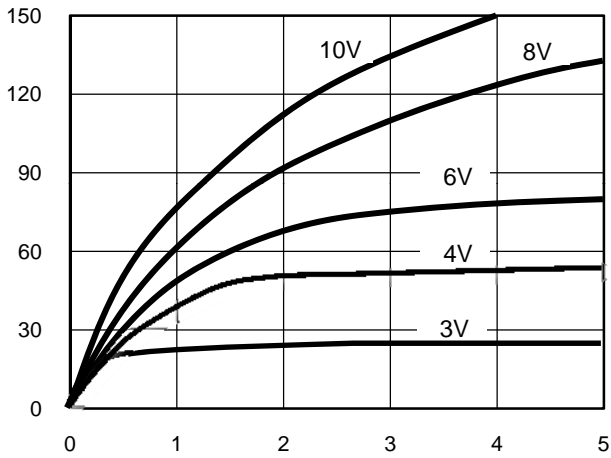
(T _C =25°C Unless Otherwise Noted)				
V _{DSS}	Drain-Source Voltage		150	V
V _{GSS}	Gate-Source Voltage		±25	
T _J	Maximum Junction Temperature		175	°C
T _{STG}	Storage Temperature Range		-55 to 175	°C
I _S	Diode Continuous Forward Current	T _C =25°C	120	A
I _{DP} ⁷	300 μs Pulse Drain Current Tested	T _C =25°C	480	A
I _D ⁸	Continuous Drain Current(V _{GS} =10V)	T _C =25°C	120	A
		T _C =100°C	85	
P _D	Maximum Power Dissipation	T _C =25°C	375	W
		T _C =100°C	188	
R _{TC}	Thermal Resistance-Junction to Case		0.4	°C/W
R _{TA}	Thermal Resistance-Junction to Ambient		62.5	°C/W
E _{AS} ⁹	Avalanche Energy, Single Pulsed		552	mJ

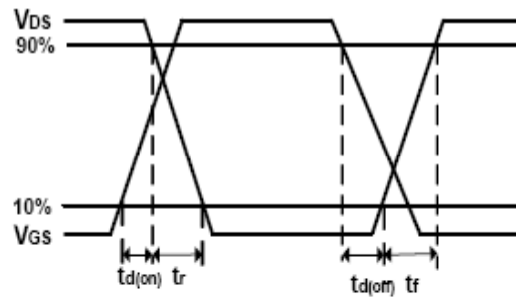
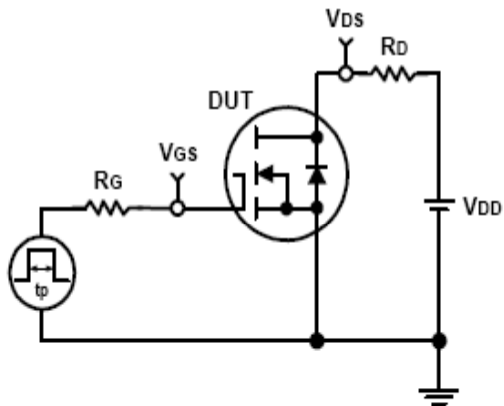
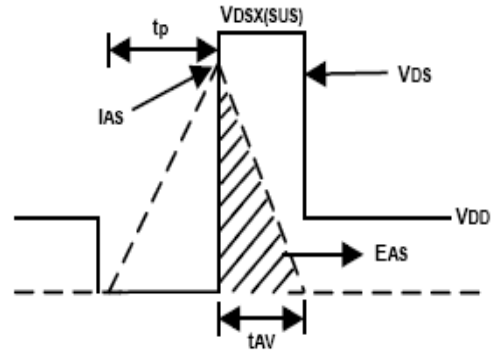
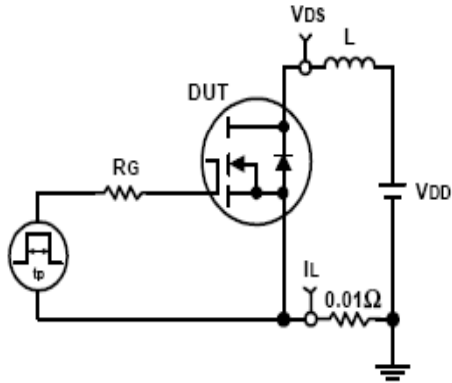
(T_C=25°C Unless Otherwise Noted)

BV _{DSS}	Drain-Source Breakdown Voltage	V _{GS} =0V, I _{DS} =250μA	150		V

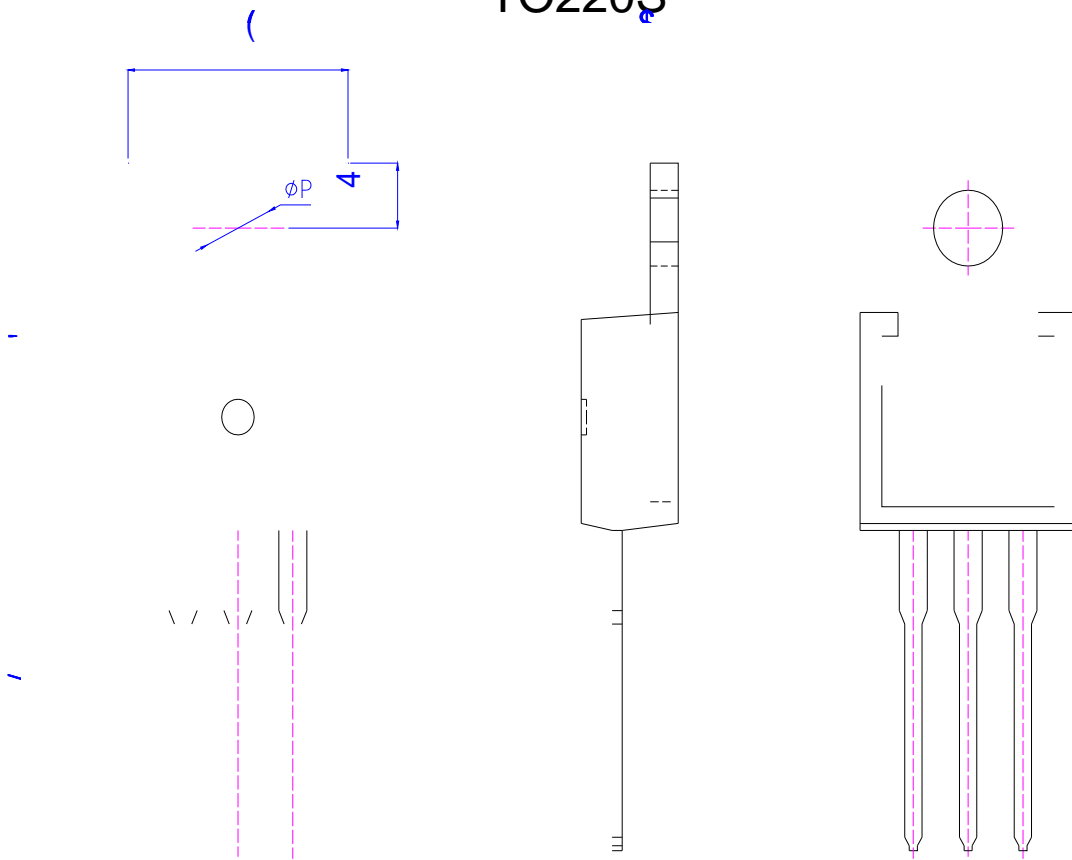
RU1Z120R3	RU1Z120R3	TO220S	Tube	50	-	-







TO220S



6 < 0 % 2 /		00		, 1 & +		6 < 0 % 2 /		00		, 1 & +	
	0, 1	120	0 \$;	0, 1	120	0 \$;	0, 1	120	0 \$;	0, 1	120
\$							ž S				
\$							H	% 6 &			% 6 &
\$							H	% 6 &			% 6 &
E							+				
E							+				
F							/				
'							/				
'							ž S				
'							4				
(5				
(©	e	e	e	e
(©	e	e	e	e

Sales@ruichips.com

Technical@ruichips.com

Investor@ruichips.com

Marcom@ruichips.com

Editorial@ruichips.com

HR@ruichips.com

Legal@ruichips.com

4th Floor, Block 8, Changyuan New Material Port, Keyuan Middle Road, Science & Industry Park,
Nanshan District, Shenzhen, CHINA

(86-755) 8311-5334

(86-755) 8311-4278

Sales-SZ@ruichips.com