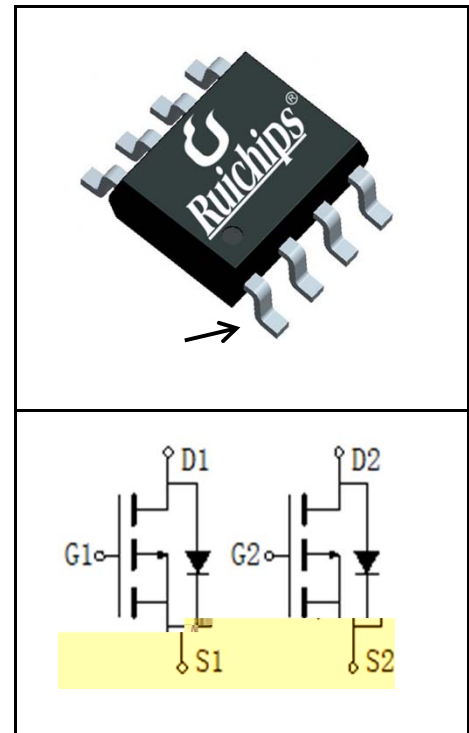


### Features

### Pin Description



### Applications

### Absolute Maximum Ratings

Symbol	Parameter	Rating	Unit
<b>Common Ratings</b> ( $T_A=25^{\circ}\text{C}$ Unless Otherwise Noted)			
<b>Mounted on Large Heat Sink</b>			
	$\mu$		
$\theta$			
$\theta$			
<b>Drain-Source Avalanche Ratings</b>			

**Electrical Characteristics**

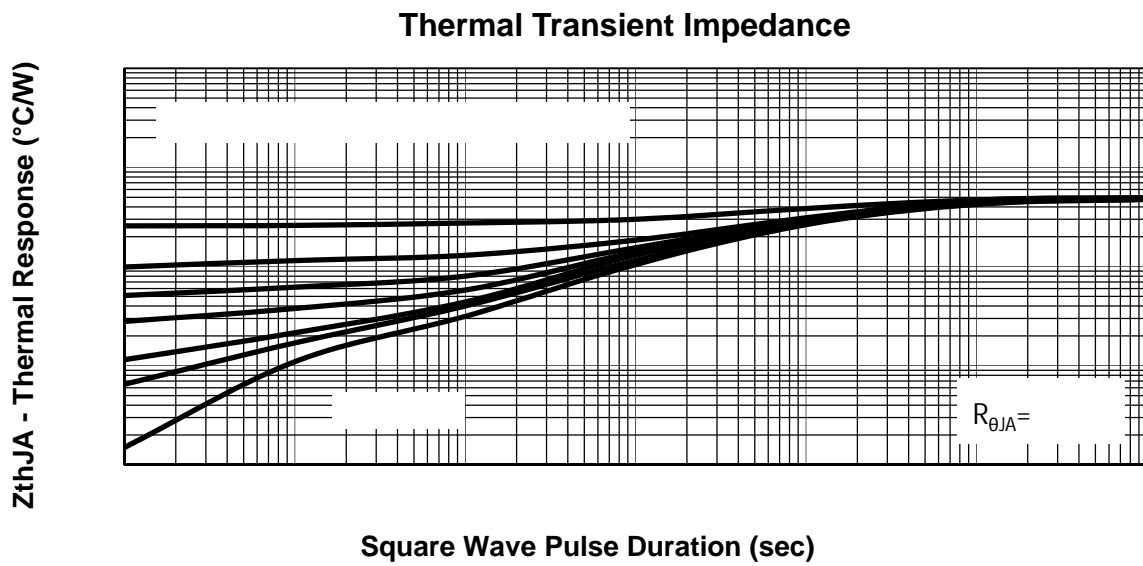
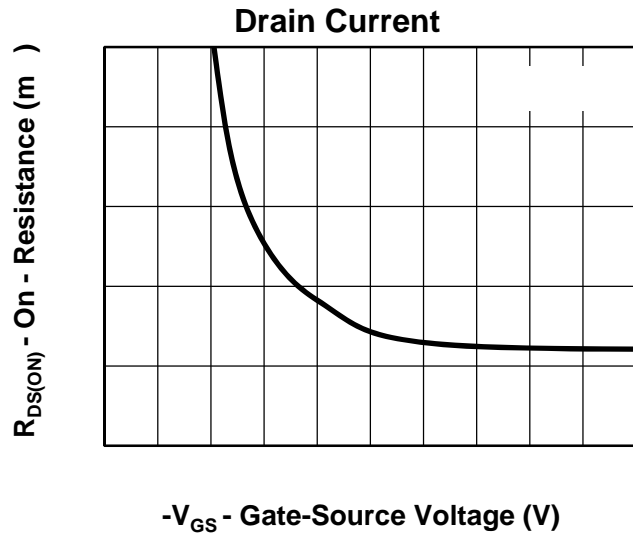
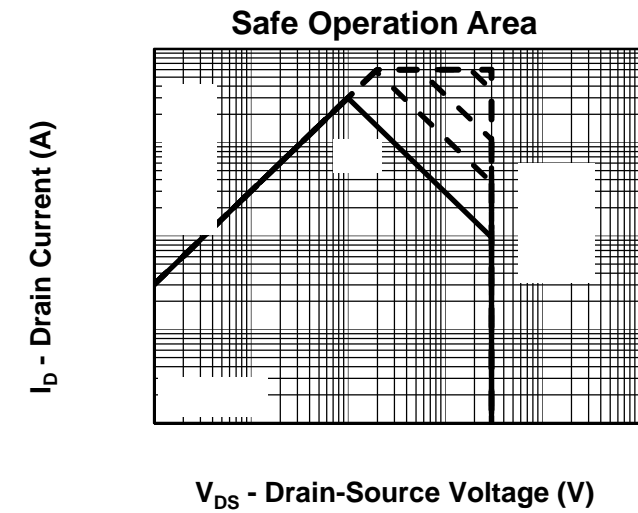
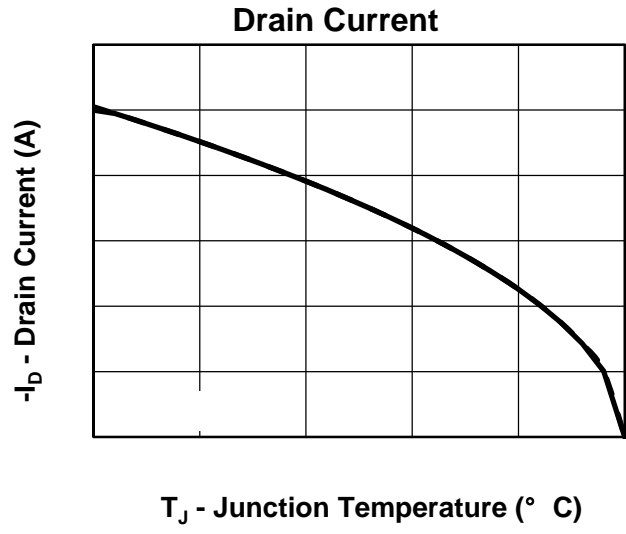
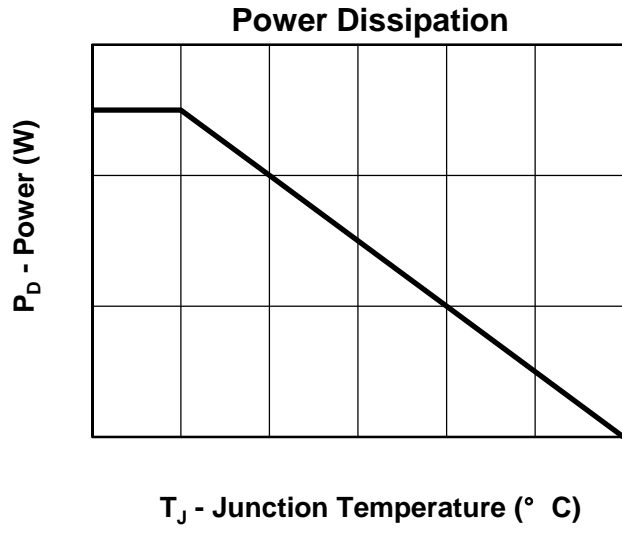
Symbol	Parameter	Test Condition	RU4953BH			Unit
			Min.	Typ.	Max.	
<b>Static Characteristics</b>						
<b>Diode Characteristics</b>						
<b>Dynamic Characteristics</b>						
<b>Gate Charge Characteristics</b>						

**Ordering and Marking Information**

Device	Marking	Package	Packaging	Quantity	Reel Size	Tape width

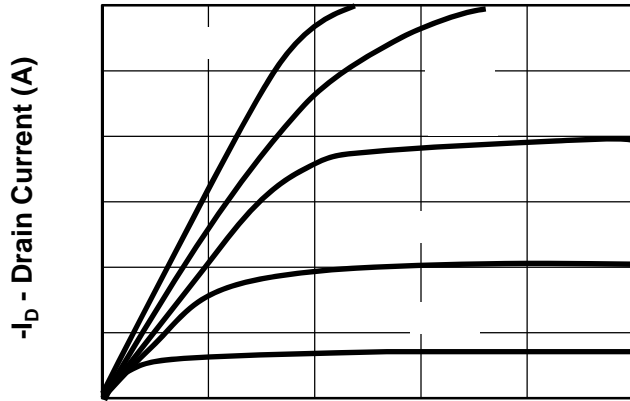
---

**Typical Characteristics**



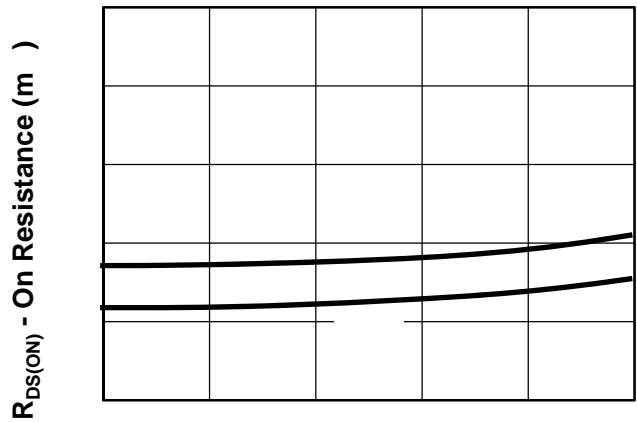
**Typical Characteristics**

**Output Characteristics**



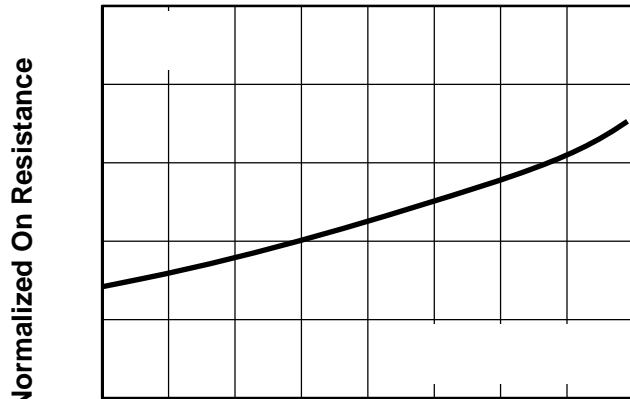
$-V_{DS}$  - Drain-Source Voltage (V)

**Drain-Source On Resistance**



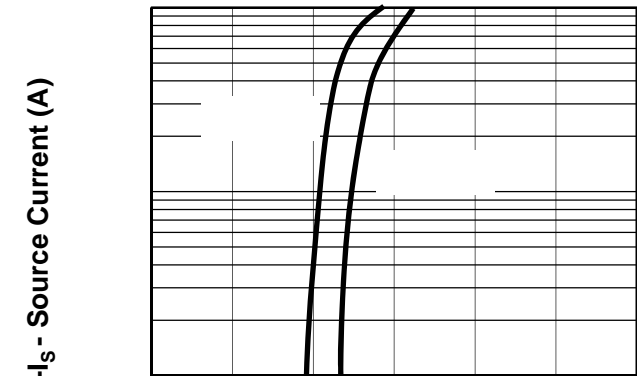
$-I_D$  - Drain Current (A)

**Drain-Source On Resistance**



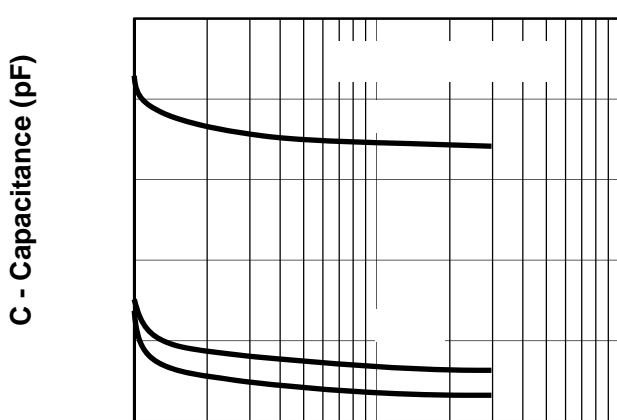
$T_J$  - Junction Temperature (°C)

**Source-Drain Diode Forward**



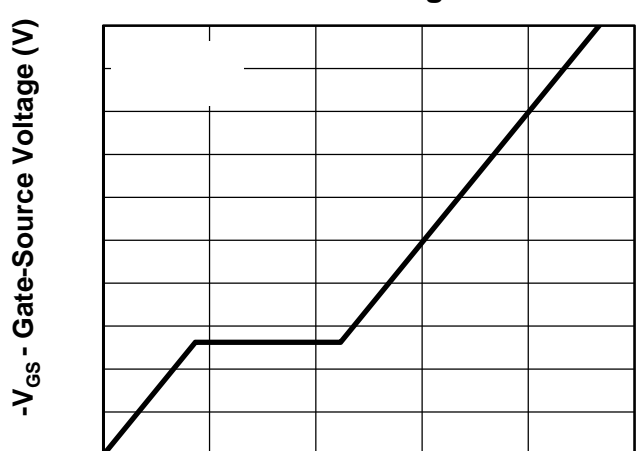
$-V_{SD}$  - Source-Drain Voltage (V)

**Capacitance**



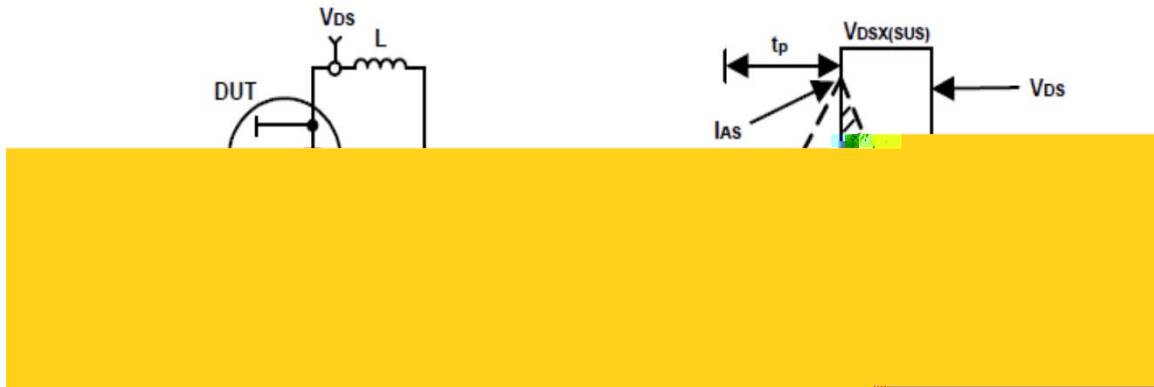
$-V_{DS}$  - Drain-Source Voltage (V)

**Gate Charge**

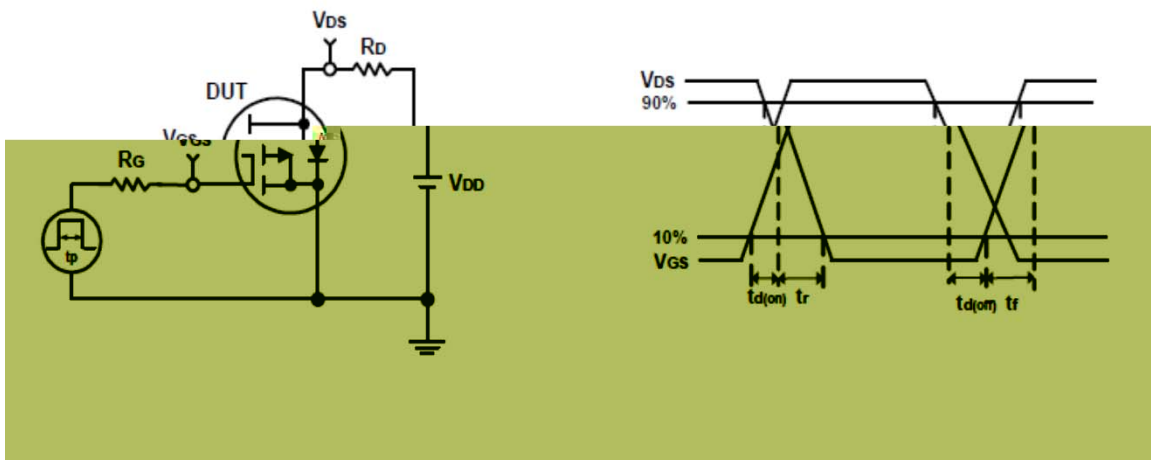


$Q_G$  - Gate Charge (nC)

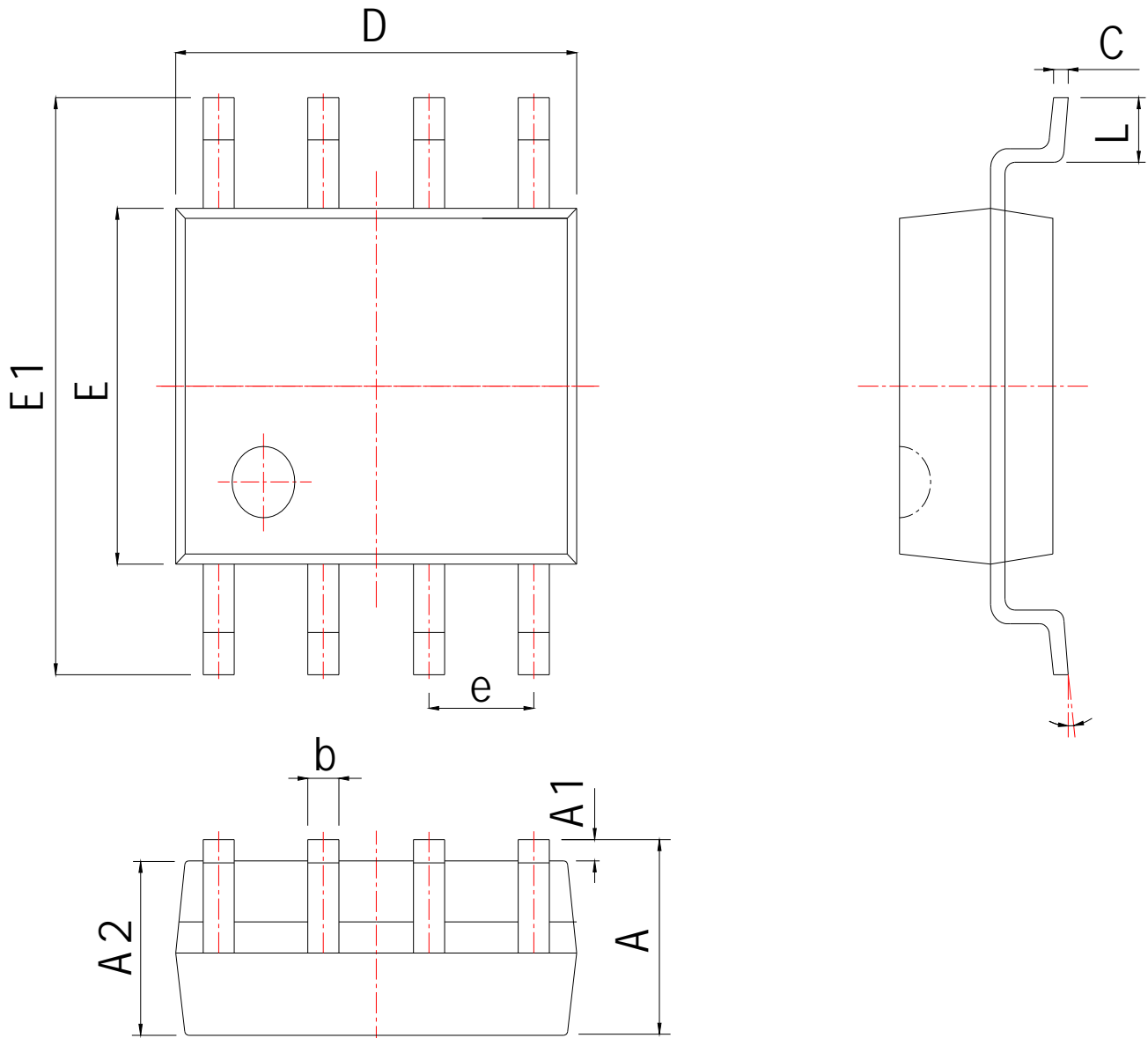
**Avalanche Test Circuit and Waveforms**



**Switching Time Test Circuit and Waveforms**



**Package Information**



SYMBOL	MM			INCH		
	MIN	NOM	MAX	MIN	NOM	MAX
A	1.300	1.525	1.750	0.051	0.060	0.069
A1	0.050	0.150	0.250	0.002	0.006	0.010
A2	1.350	1.450	1.550	0.053	0.057	0.061
b	0.330	0.420	0.510	0.013	0.017	0.020
c	0.170	0.210	0.250	0.007	0.008	0.010
D	4.700	4.900	5.100	0.185	0.193	0.201
E	3.800	3.900	4.000	0.150	0.154	0.157
E1	5.800	6.000	6.200	0.228	0.236	0.244
e	1.270 BSC			0.050 BSC		
L	0.400	0.835	1.270	0.016	0.033	0.050
	0°		8°	0°		8°

**Customer Service**

**Worldwide Sales and Service:**

**Technical Support:**

**Investor Relations Contacts:**

**Marcom Contact:**

**Editorial Contact:**

**HR Contact:**

**Legal Contact:**

**Shen Zhen RUICHIPS Semiconductor CO., LTD**

**TEL:**

**FAX:**

**E-mail:**

---